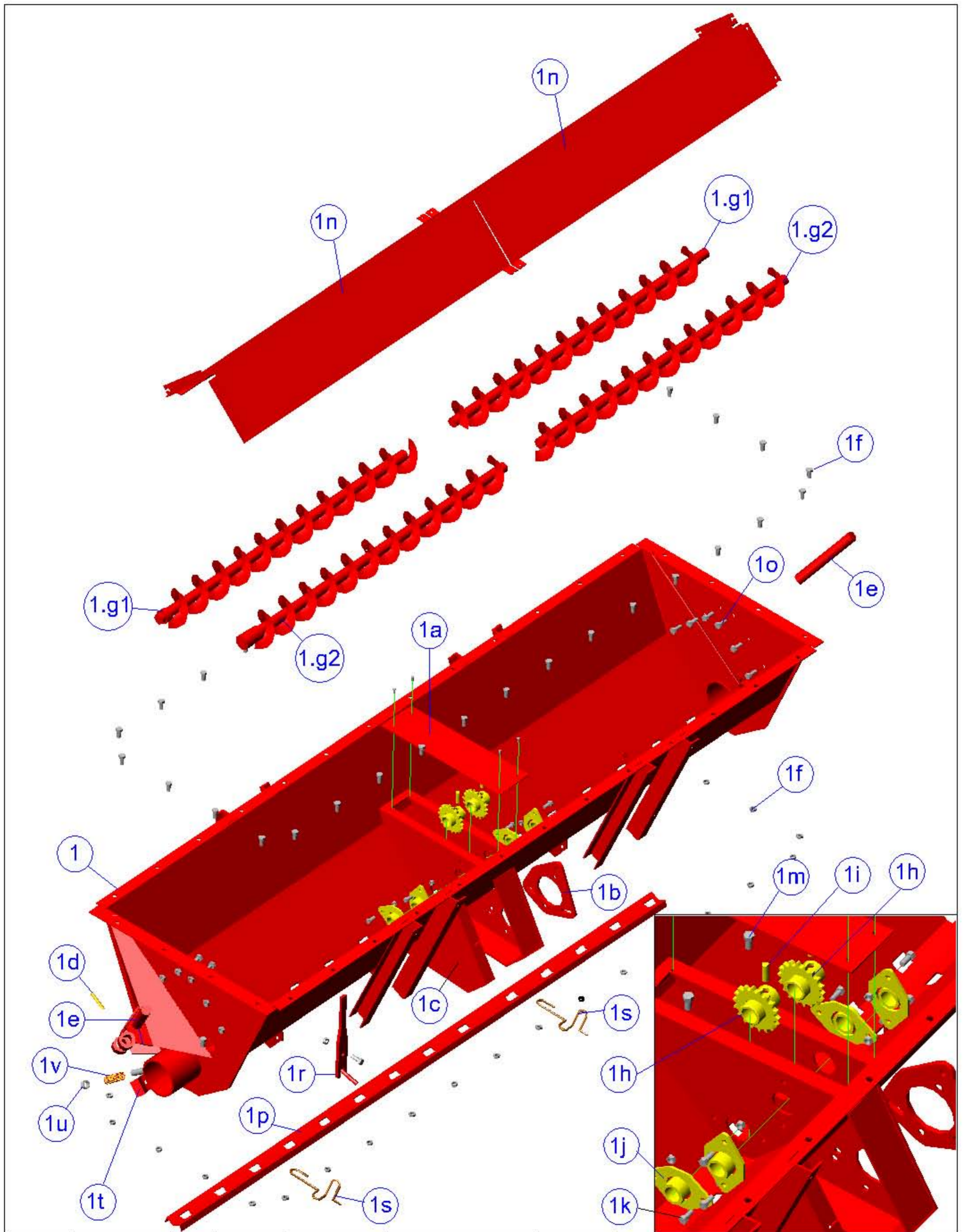


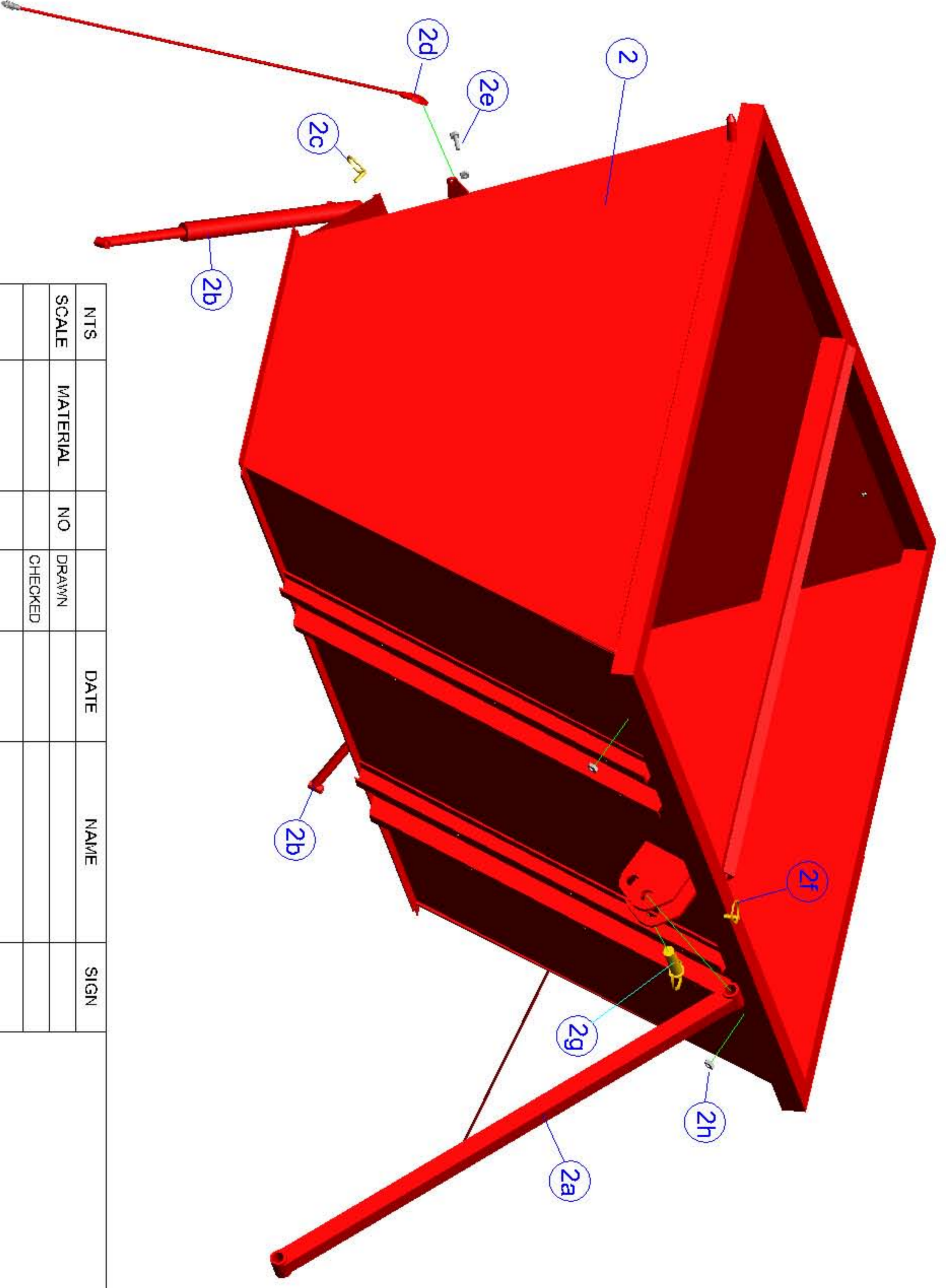
JET POWDER T 2000

PART CATALOG



NTS	MATERIAL	NO	DRAWN	DATE	NAME	SIGN
SCALE			CHECKED			
GENERAL TOLERANCE						
2000 LT KSM						

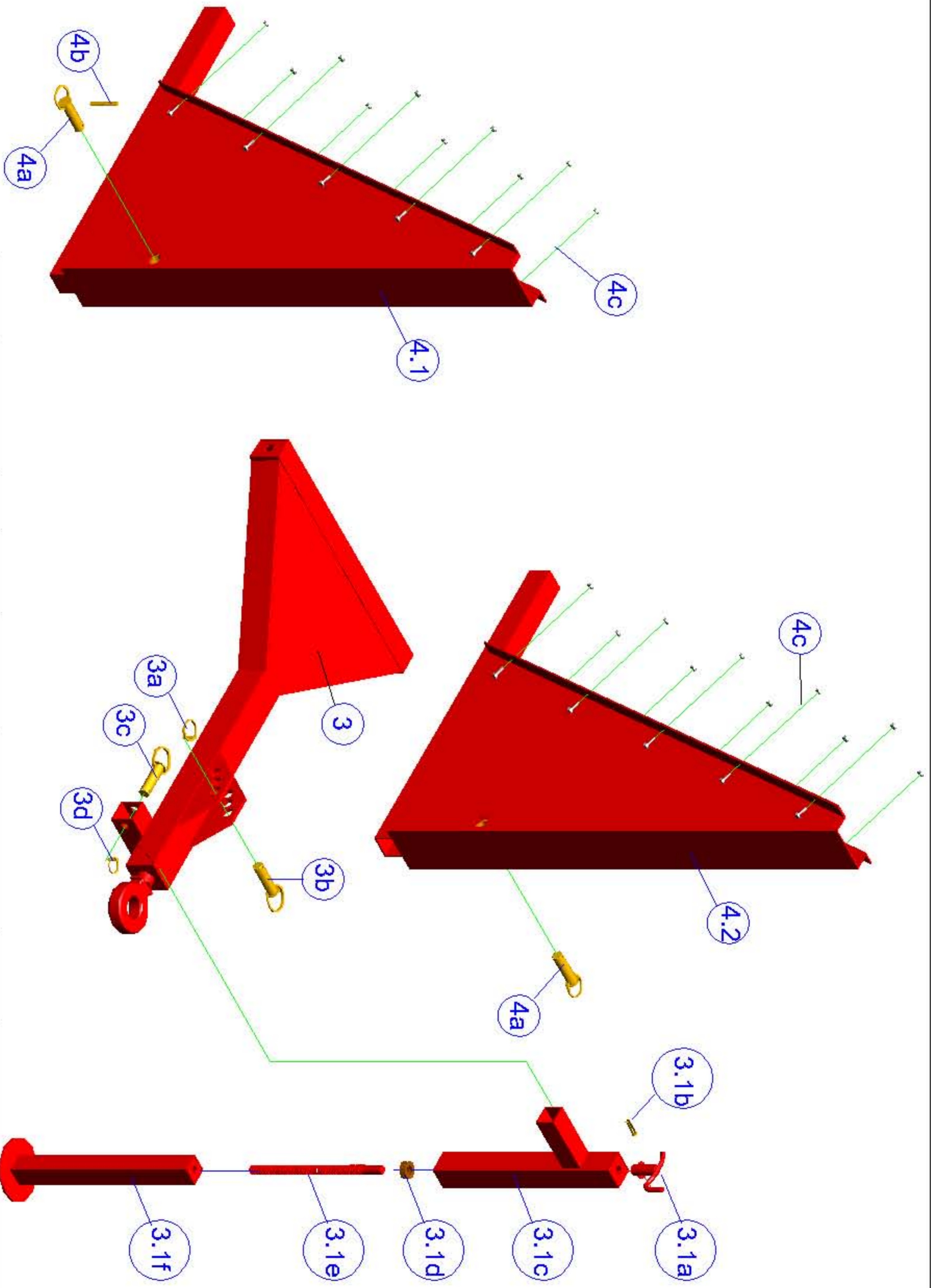
Part Code	PART DESCRIPTION
1	Lower main body
1.a	Gear box cover
1.b	Hydraulic motor connection plate
1.c	Hydraulic motor gear box cover
1.d	Connection pin split pin
1.e	Connection pin
1.f	Lower upper main body connection bolts and nuts
1.ga	Upper inner spirals
1.gb	Lower inner spirals
1.h	18 teeth gear (spiral driving gears)
1.i	Gear fixing split pin
1.j	Almond bearings
1.k	Almond bearing connection bolts and nuts
1.m	Gear box cover screw
1.n	Spiral Covers
1.o	Spiral cover bolts and nuts
1.p	Main body lime pouring setting plate
1.r	Main body lime pouring setting handle
1.s	Main body lime pouring setting plate pawl spring
1.t	Spiral branch fixing pawl
1.u	Spiral branch fixing pawl nut
1.v	Spiral branch fixing pawl spring



NTS	MATERIAL	NO	DRAWN	DATE	NAME	SIGN
SCALE			CHECKED			
GENERAL TOLERANCE						

2000 LT KSM

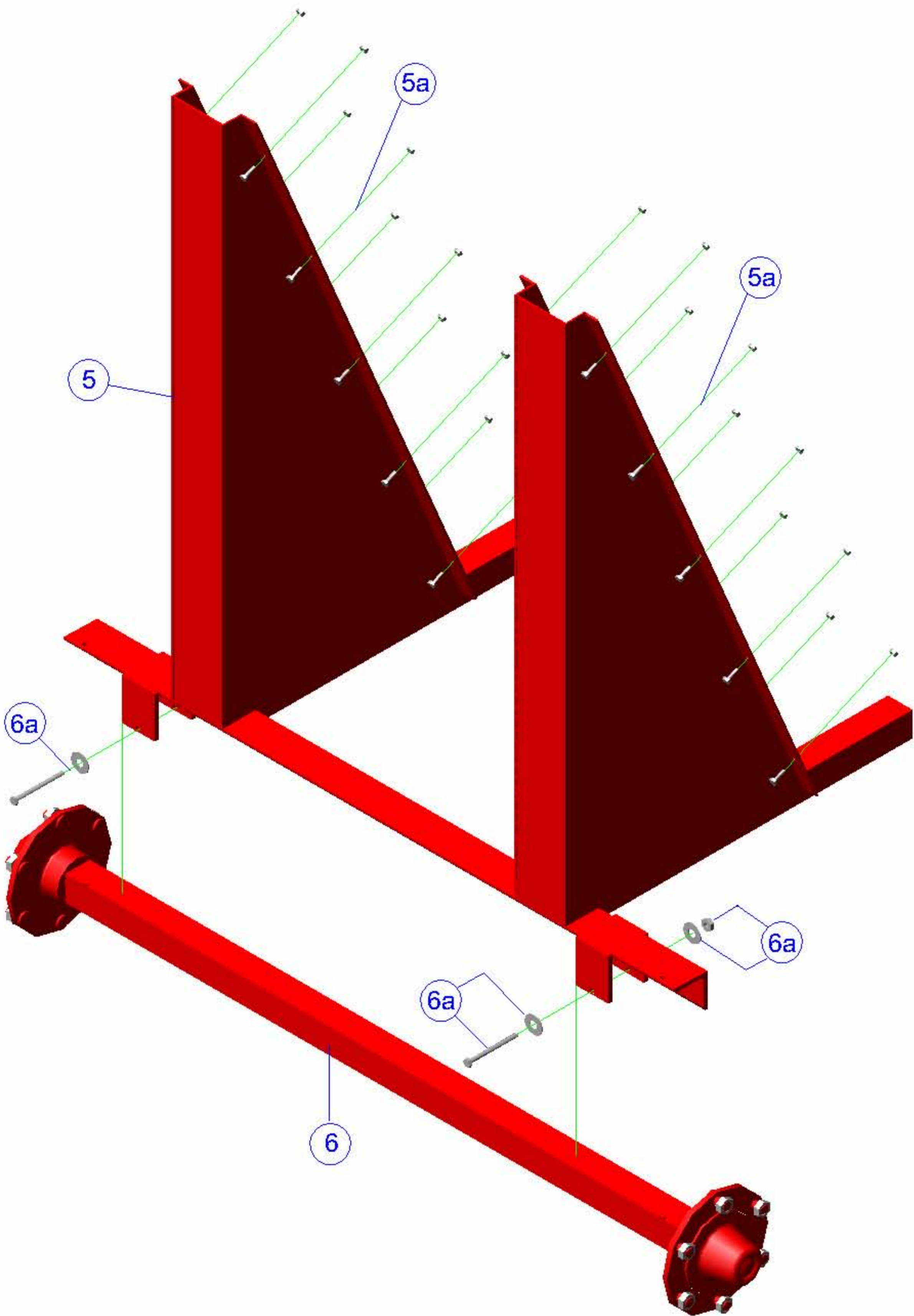
Part Code	PART DESCRIPTION
2	Upper main body
2.a	Upper main body support
2.b	Hydraulic lifts
2.c	Hydraulic lift connection pin spring pin
2.d	Rope
2.e	Rope connection bolts and nuts
2.f	Upper main body support connection pin spring pin
2.g	Upper main body support connection
2.h	Extension fixing bolts and nuts



NTS	MATERIAL	NO	DRAWN	DATE	NAME	SIGN
SCALE			CHECKED			
GENERAL TOLERANCE						
2000 LT KSM						

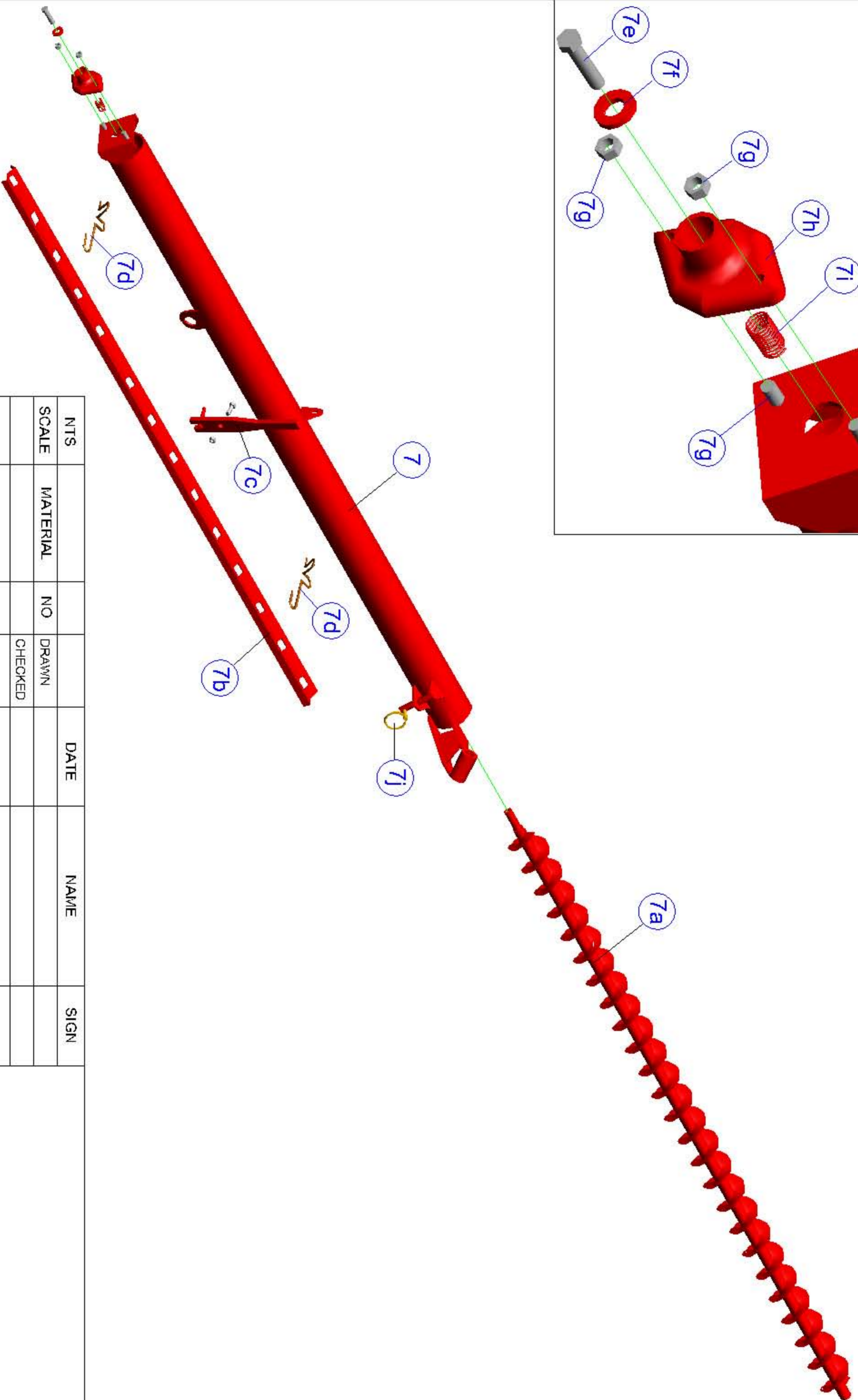
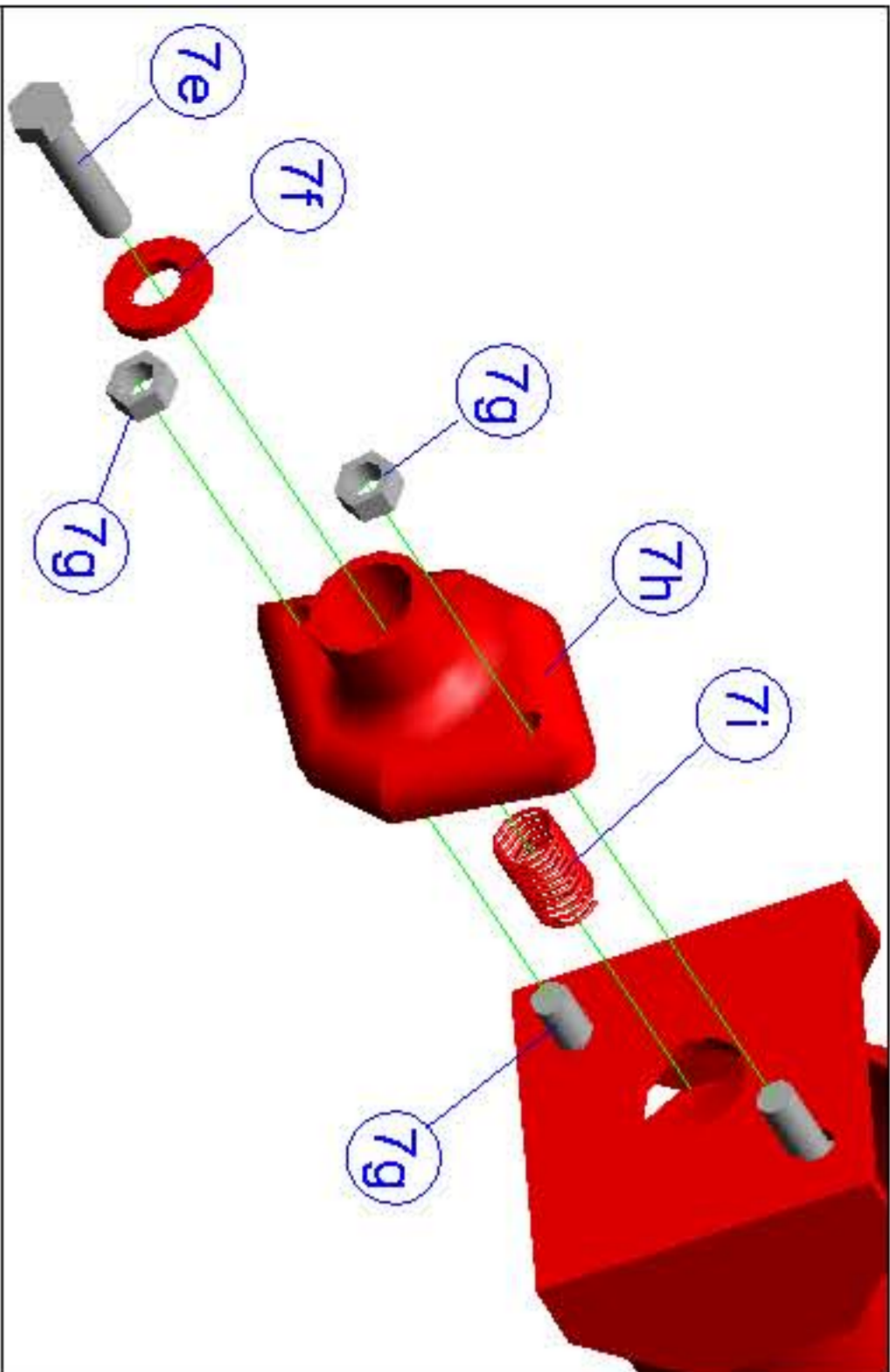
Part Code	PART DESCRIPTION
3	Wrecker body
3.a	Wrecker upper main body support connection pin
3.b	Wrecker upper main body support connection pin spring pin
3.c	Wrecker jack connection pin
3.d	Wrecker jack connection pin spring pin
3.1	Jack
3.1.a	Jack adjustment handle
3.1.b	Jack adjustment handle split pin
3.1.c	Jack upper body
3.1.d	Jack ball bearing
3.1.e	Jack Square tooth screw
3.1.f	Jack lower body

Part Code	PART DESCRIPTION
4.1	Left main body front support body
4.2	Right main body front support body
4.a	Wrecker support body connection pin
4.b	Wrecker support body connection pin split pin
4.c	Main body support body connection bolts and nuts



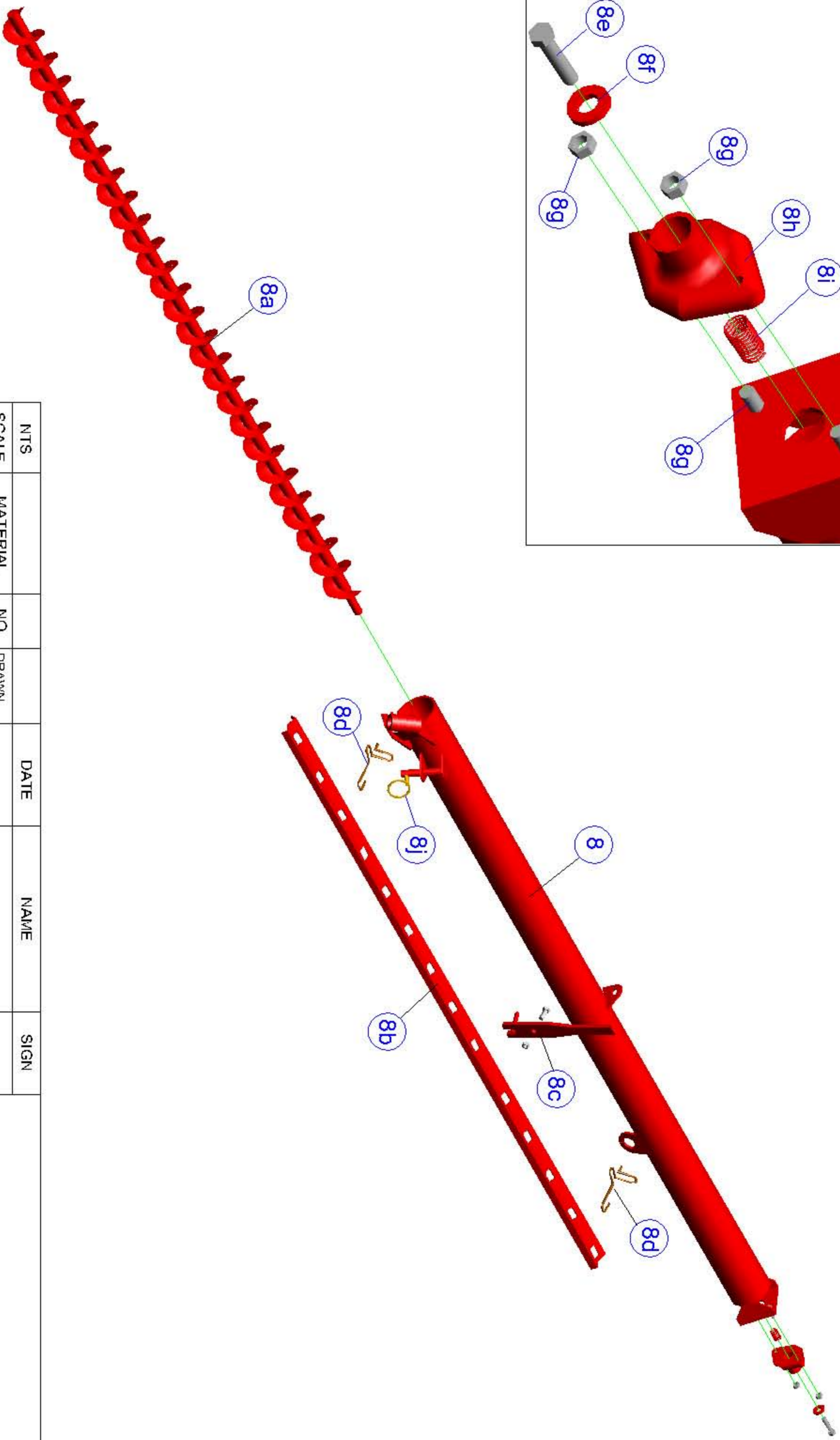
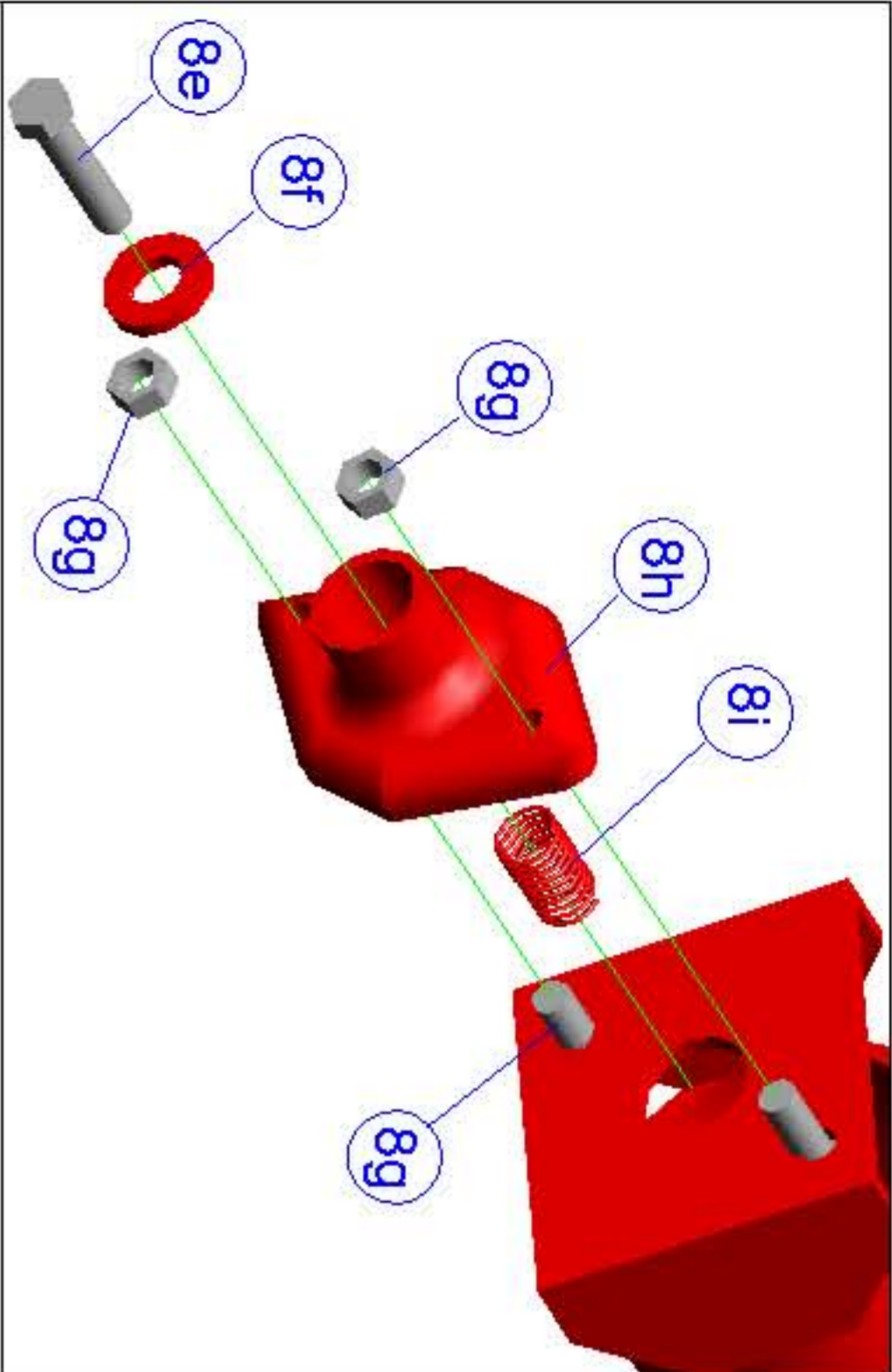
NTS				DATE	NAME	SIGN
SCALE	MATERIAL	NO	DRAWN			
			CHECKED			
GENERAL TOLERANCE						
2000 LT KSM						

Part Code	PART DESCRIPTION
5	Main body rear support body
5.a	Main body rear support connection bolts and nuts
6	Axle
6.a	Axle rear support body connection bolts,nuts and washers



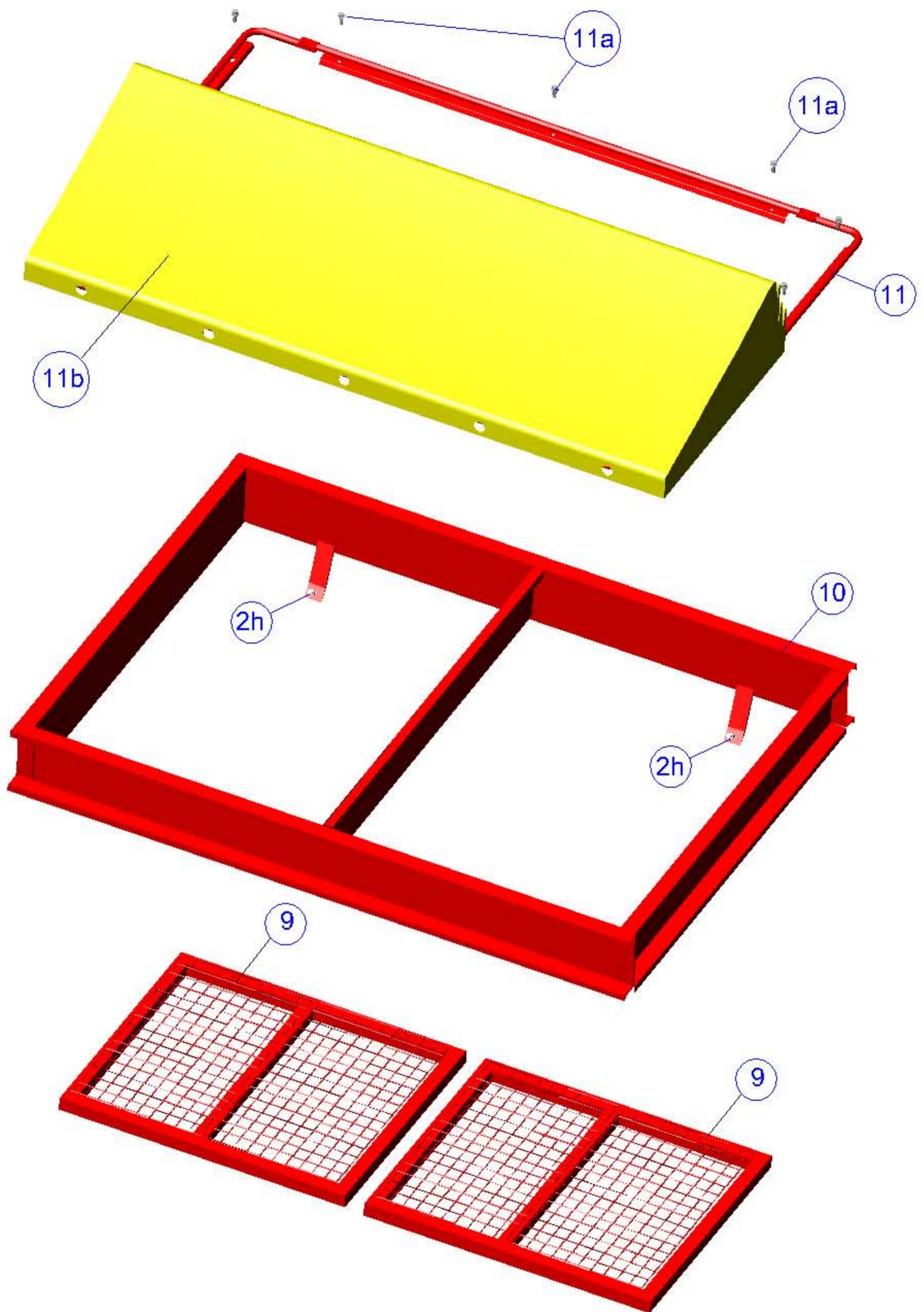
NTS	MATERIAL	NO	DRAWN	DATE	NAME	SIGN
SCALE			CHECKED			
GENERAL TOLERANCE						
2000 LT KSM						

Part Code	PART DESCRIPTION
7	Left spiral body
7.a	Left spiral
7.b	Left spiral branch lime pouring setting plate
7.c	Lime pouring setting plate, setting handle
7.d	Lime pouring setting plate, pawl Spring
7.e	Spiral bolt
7.f	Spiral bolt washer
7.g	Almond bearing fixing bolts and nuts
7.h	Almond bearing
7.i	Spiral bolt spring
7.j	Hydraulic lift spiral branch connection pin spring pin



NTS	MATERIAL	NO	DRAWN	DATE	NAME	SIGN
SCALE			CHECKED			
GENERAL TOLERANCE						
2000 LT KSM						

Part Code	PART DESCRIPTION
8	Right spiral body
8.a	Right spiral
8.b	Right spiral branch lime pouring setting plate
8.c	Lime pouring setting plate, setting handle
8.d	Lime pouring setting plate, pawl Spring
8.e	Spiral bolt
8.f	Spiral bolt washer
8.g	Almond bearing fixing bolts and nuts
8.h	Almond bearing
8.i	Spiral bolt spring
8.j	Hydraulic lift spiral branch connection pin spring pin



NTS	MATERIAL	NO	DRAWN	DATE	NAME	SIGN
SCALE			CHECKED			
GENERAL TOLERANCE						
2000 LT KSM						

Part Code	PART DESCRIPTION
9	Seives
10	Extension
11	Tarpolin
11.a	Tarpolin fixing screw
11.b	Tarpolin covering tent with elastic string